

ZIIVAA®

The First Non-Invasive,
Drug-Free Solution for
Alleviating Menstrual
Discomfort



ZIIVAA[®] Is



Ziivaa is an orthotic device that fits comfortably over the clothes and around the hips to apply gentle compression to relieve menstrual pain.

**“Ziivaa has transformed women’s lives
living with Endometriosis”**

Aileen Caceres, MD, MPH, FACOG

ZIIVAA[®] The Problem it Solves

During a woman's life she will spend a compelling amount of time coping with her menstrual cycle.¹

1,824
days

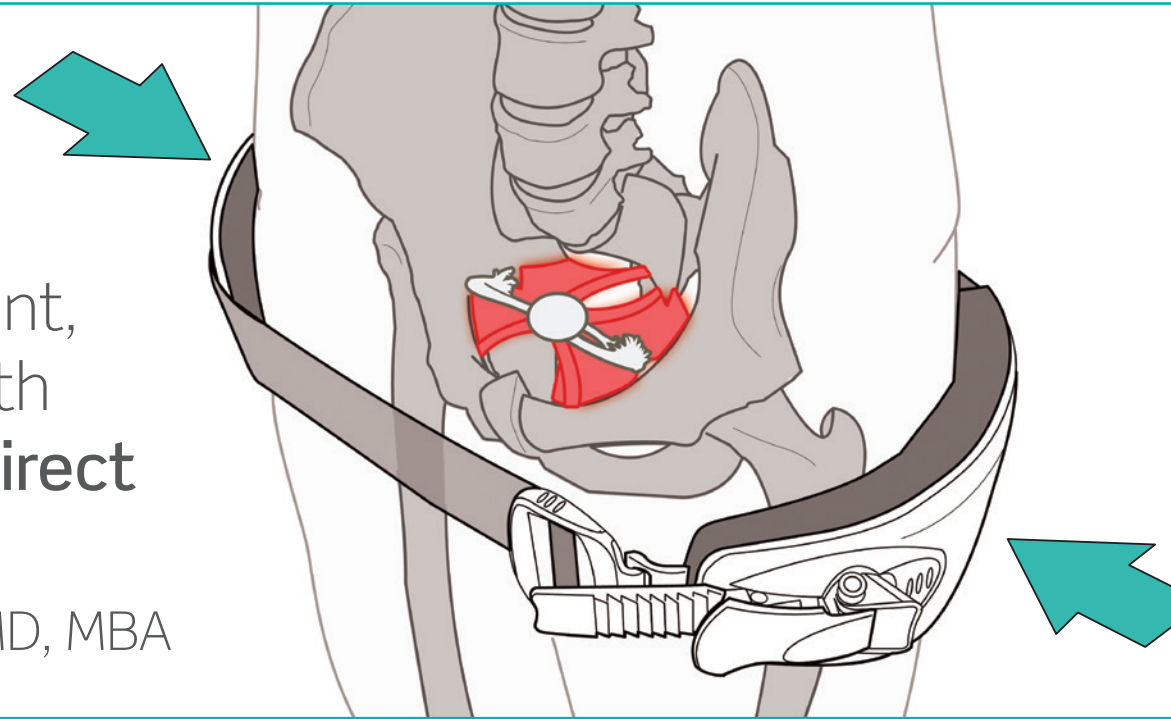
260
weeks

5
years

- Painful menstruation affects approximately 50% of all women globally.
- Over 10% suffer debilitating discomfort each month.
- Menstrual pain is the leading cause of absenteeism from school and work.
- Health.net estimates 140 million work hours are lost each year in the U.S. alone due to this condition.
- 20% of population non-responsive to pharmaceutical treatments

“From a gynecological standpoint, external pelvic compression with **the Ziivaa device provides a direct benefit to menstrual pain.**”

G. Michael Swor, MD, MBA



Ziivaa works at the source of menstrual pain to deliver fast relief with internationally patented Adjustable Compression Technology™ (ACT). This safe alternative reduces pressure on the ligaments and muscles affected during the menstrual cycle.

ZIIVAA® Features and Benefits

- Drug Free
- Non-Invasive
- Fast-Acting
- Long Lasting Relief in Minutes
- Simple And Easy To Use
- No Side Effects
- Treats Pain at The Source
- Customizable Fit
- No Parts or Batteries to Replace
- Innovative Design
- No Heat Required



ZIIVAA® Testimonials



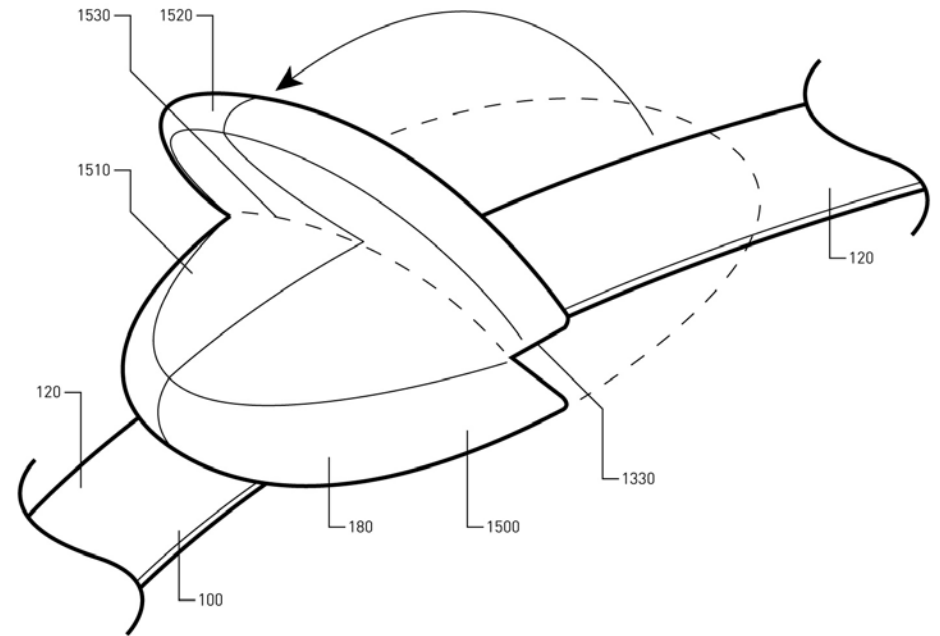
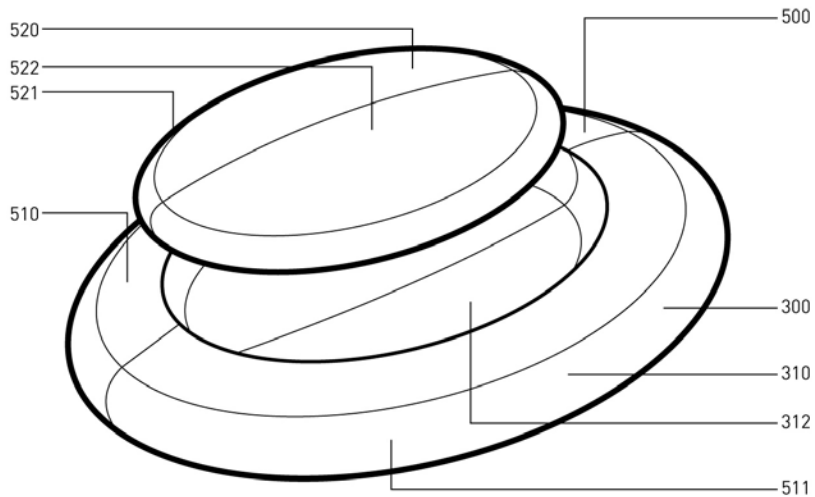
ZIIVAA[®] Efficacy



Life University conducted a qualitative trial to establish protocols and confirm validation of the device. Post validation, Ziivaa was approved by an Institutional Review Board (IRB) through Sarasota Memorial Hospital and conducted a sanctioned clinical study through Physicians Care Clinical Research.

- 90% of patients did not require any pain medication during their cycle
- There were no device-related adverse events reported
- The Ziivaa device reduced pain in women suffering from menstrual and ovulation cramps
- 88% would continue to use the product
- Participants on average used the belt two times per cycle
- Women treated saw a decrease from a 7 down to 3.5 on the pain scale
- No device-related adverse affects.

ZIIVAA[®] Intellectual Property



Issued

US 8,156,932 B2	CIP1 (USA)
US 8,191,550 B2	CIP2 (USA)
2010356325	CIP2 (Australia)
ZL 201080067796.2	CIP2 (China)
US 9,107,753 B2	CIP4 (USA)
US D663,029S	1.0 Design Patent (USA)
US D708,345S	2.0 Design Patent (USA)
001286231	1.0 Community Design Patent (EU)
002197152-001	2.0 Design Patent (EU)
252142	2.0 Design Patent (India)
4,214,567	ZIIVAA Registered Trademark in Class 10 (USA)
4,841,601	ZIIVAA Registered Trademark in Class 35 (USA)
009945528	ZIIVAA Registered Trademark in Class 3,4,10,35 (EU)
2144846	ZIIVAA Registered Trademark in Class 4 (India)
214484	ZIIVAA Registered Trademark in Class 28 (India)

214489
4,296,160
4,675,739
4,437,712
4,704,232

ZIIVAA Registered Trademark in Class 35 (India)
Live Your Life Trademark in Class 10 Medical Device (USA)
A.C.T. Trademark in Class 10 Medical Device (USA)
Adjustable Compression Technology Trademark in Class 10 (USA)
A.C.T. Logo Mark Trademark in Class 10 (USA)

Pending

2,804,198

CIP2 – Method and Apparatus to Relieve Menstrual Pain (Canada)
2.0 Design Patent (Brazil)
ZIIVAA Registered Trademark in Class 10 (Canada) - Allowance received
ZIIVAA Registered Trademark in Class 10 (India)
ZIIVAA Registered Trademark in Class 3 (India)
ZIIVAA Registered Trademark in Class 25 – (India)

ZIIVAA® Just Add Sales and Marketing

The Ziivaa product is ready to go for your sales and marketing team. Product design, development and testing, including user studies and clinical trials have been completed. Ziivaa is FDA registered, and has been assigned a CMS billing code. All materials, tooling, and manufacturing is in place to support marketing and sales.



*"It blew me away
that in 10 minutes I had no more cramps!"*

Ginger



ZIIVAA® Contact

Are you ready to disrupt the menstrual pain management market?

Few solutions can truly claim to be unique. As the first and only health product of its kind, Ziivaa represents a safe, superior solution to menstrual pain relief and a range of opportunities from licensing to acquisition.

Contact ROBRADY today to add Ziivaa to your product line.

Rob Brady - CEO | Design Director
studio@robrady.com

941.744.6656

